



Thank you for choosing a PlayActive product. We hope your child will endure many years of fun with this item. If you require any trouble shooting assistance or help on assembly please view our tutorial videos available on our website.

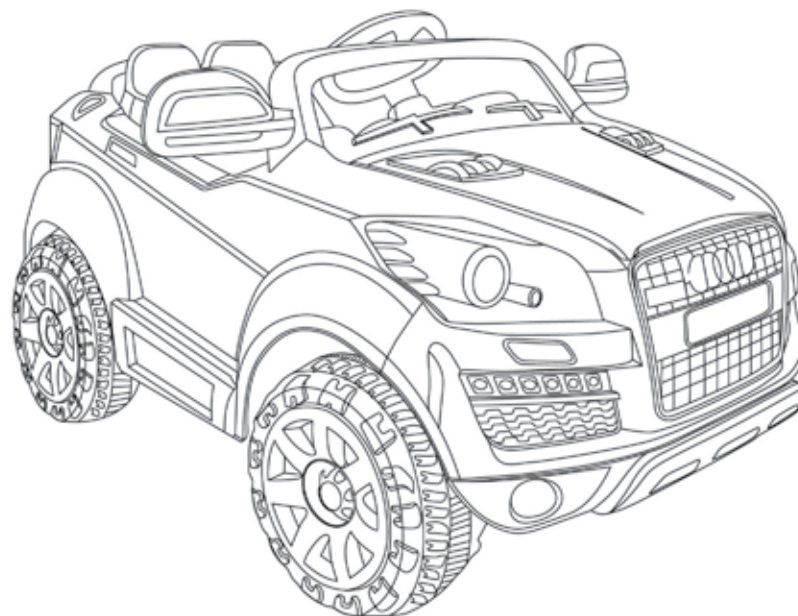
www.playactive.net

If you require any further assistance please contact the outlet you purchased this item from.

ELECTRIC CAR

Install and use the manual

Manual has an important information, read, please keep for future reference.



STANDARDS: EN71 EN62115

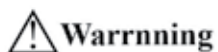
Use the product please first read instructions, it will tell you the correct methods of operation and installation instructions. To avoid not correct methods of operation of this product damage or injury and your baby. Manual should be placed to take good care of.

The product to get c is the main ingredients of the important parts.

SPECIFICATION

Age	37-96 months	Load Limit	30KG
Charge time	8-10 hours	Power	12V/6V 7Ah x2 Sealed Battery
Net weight	20KG	Charge	220V/12V 1000mA
Car Size	122x82x63cm	High mph	3KM/HR
Pack Size	123x70x43cm	Using time	About 300 time

SAFE RULES



**Non-transportation, must be care of adult!
Before using the child for education, safety!**

1. Be charged by an adult, don't let the children touch.
2. Driving, we must by adults, and the tutelage use.
3. Clamp down on the streets, roads, slope, waiting for over a backward, to eliminate obstacles to ride.
4. It's suitable for children for about 37-96 months.
5. Cycle shall not leave the seat to prevent operation resulting in injury.
6. In the car was pulled, the device, such as a block, please immediately release switch to eliminate the obstacles and foot before you ride.

About Your New 12 volt quad

Thank you for purchasing the 12 volt quad. Keep these points in mind as you read this guide:

WARNING!

FOR THE SAFETY OF YOUR CHILD, PLEASE READ ALL WARNINGS AND ASSEMBLY/USE INSTRUCTIONS. KEEP THIS GUIDE FOR FUTURE REFERENCE.

- The toy is to be assembled by an adult. In unassembled state product contains potentially hazardous small parts, so please keep out of baby's reach.
- Always remove protective material and poly bags and dispose before assembly.
- Park the 12 volt quad indoors or cover it with a tarp to protect it from wet weather. Do not leave vehicle in sun for long periods of time or fading may occur. Store in shade or cover with tarp.
- Do not drive the 12 volt quad in loose dirt, sand or fine gravel, which could damage moving parts, motors or the electric system, which could void the warranty.
- Do not wash the 12 volt quad with a hose. Do not wash the 12 volt quad with soap and water. Do not drive the 12 volt quad in rainy or snowy weather. Water will damage the motor, electric system and battery.
- Do not return this product to the place of purchase.

USE CAUTIONS

1. In the first to use the deposit, we must ensure that the cell battery up to 10 hours. otherwise, permanent damage cells and beyond repair.
2. In the streets, roads, slope, ditch and the danger area.
3. Please don't on the polished surface, such as marble, tile on the surface.
4. This product by one, not limit, the greatest relief to over 30KG.
5. Don't run in an electric switch on deposit in the back of the light switch.
6. Shall not be altered the car circuit or device to additional charged
7. The remote control and not to let it get caught in the rain or otherwise made in water and keep away from sources of ignition to avoid causing the damage.
8. Met with obstruction, the baby stop, please leave the obstacles to ride.
9. Don't use in the water, water and other liquids in the car.
10. Not in use, to avoid hitting the child.
11. When the remote control battery power is low, the car on the remote control and turned back, a short distance, shake, please replace the battery!
12. Not in use, please turn off the switch. no, please unplug the battery, a connector.

DECLARATION:

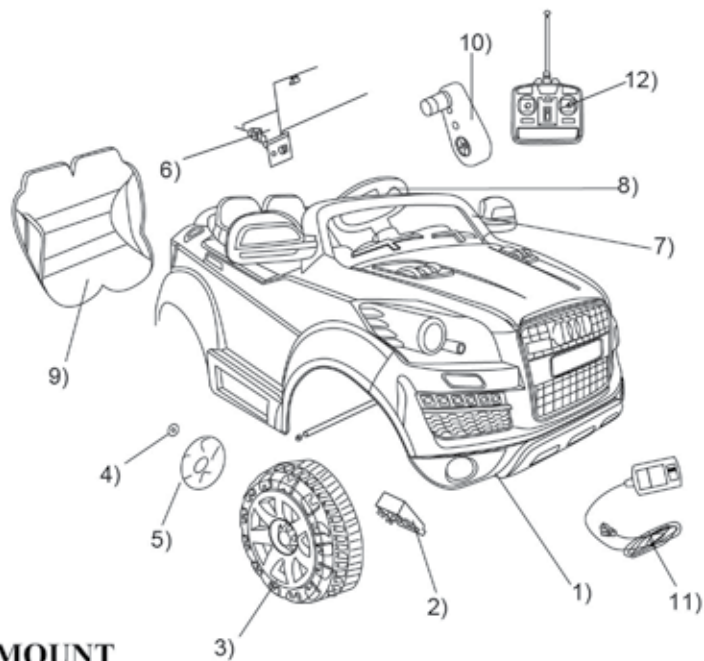
- 1) This product is only suitable for china's market for sale and use.
- 2) Manual used in illustrations to explain the product of the operations and products, with the installation of structure in the existence of a small difference in kind, please standard the object.
- 3) In order to improve product quality, not to notice, we may change the part of the structure, and appearance. please forgive.
- 4) This package contains important information that must be to keep.

CHARGE METHOD

1. First to use please open the cushion, and the battery connections with main distributing frame, with red in red and black in black, not a line ends meet, or cause a short-circuit.
2. Charging socket the cushion down side, and needs recharging. charger plug in the outlet, then insert the power outlet.
3. The train slowly, in charge, the time for 8-10 hours, and not more than ten hours.
4. In the first to use the deposit, we must ensure that the cell battery up to 10 hours. otherwise, permanent damage cells and beyond repair.
5. Charging devices or battery which has a fever (60 C) are normal.
6. The electric baby must use this car is equipped with the charger and the battery, in the case of broken the cell phone chargers and the counter-voltage or an electric circuit.
7. Have to recharge the batteries to be recharged from the toy the use of battery.
8. Not mixed with the old and new or different types of batteries.
9. Can't insert the battery wire connector.
10. When the baby is not use for a long time, at least once every month to charge.
11. Toys can't connect to the surplus on the use of the recommended amount.
12. When the car is charging, can't use it.

PACKING LIST

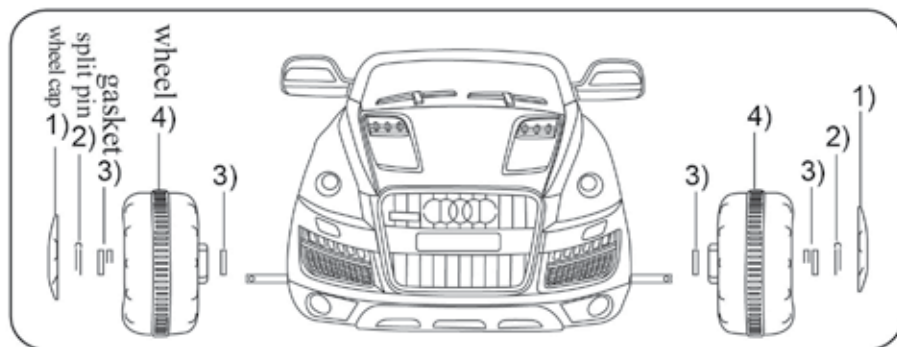
1	Body	5	wheel cap	9	Cushion
2	switch	6	Battery	10	gear case
3	Wheel	7	part of wind shield	11	Charge
4	gasket	8	steering wheel	12	telecontroller



UNIT MOUNT

1. Install Front-wheel

- At the front-wheels of the two sides on a cushion, each side in a wheel.
- The wheels on each side of a washer, the bolt in the hole a bolt. Use toolkit to fix the bolt.
- Will be built into the wheels.(As the picture)



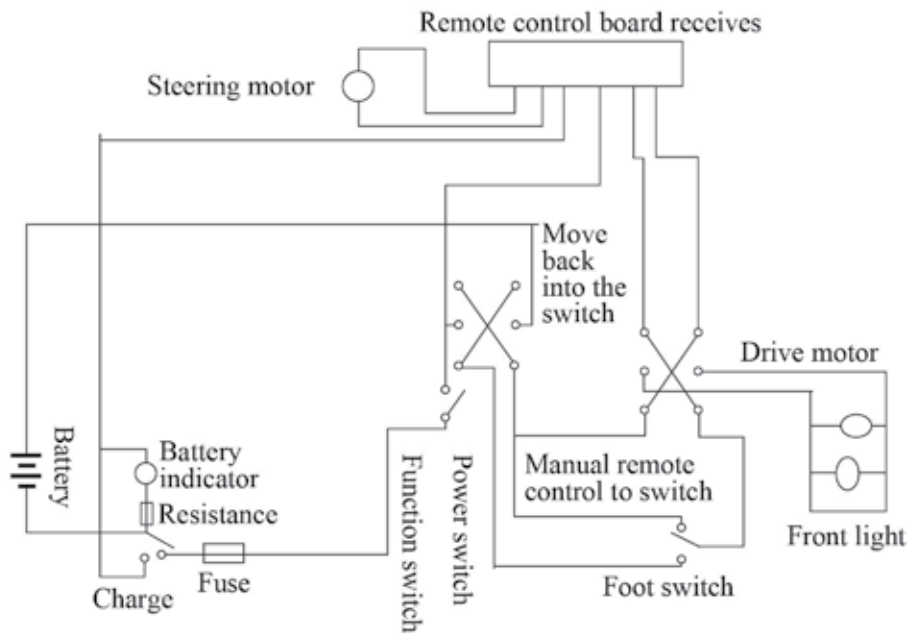
TROUBLESHOOTING

Car can't move	<ol style="list-style-type: none"> The switch is pulled in "0" position. (Over switch between) is in place on the line. The fuse blew out if, as we are replacing the fuse blew out the battery, a red lead urged the ashboard. Check the battery guide wire connector is too loose. there are no articles on the wheels.
Car move slowly	<ol style="list-style-type: none"> The battery sufficient for electricity. Check the wheels are no articles. The car overload.
Can't charge	<ol style="list-style-type: none"> If the charger is burning. The battery is Damaging. Power and the charging supply socket or not.

PACKING LIST

Ord	Name	Qty	Ord	Name	Qty
1	Front wheel	2	8	Remote control	4
2	Back wheel	2	9	Charge	1
3	Back axle	1	10	Gear case	2
4	Cashion	1	11	Screw package	1
5	Plane	1	12		
6	Wheel cap	4	13		
7	Instruction	1	14		

CIRCUIT SCHEMATIC DIAGRAM



MAINTENANCE

This car used of a polypropylene moulding plastics, it is strictly forbidden in the sun.

(a) Mechanical components

1. Use half a month or so, check the driving gear is loose screws, and every three months the inspection.
2. For safety should always check your system, the car turned the wheel, the hood and bonnet.

(b) Electrical parts

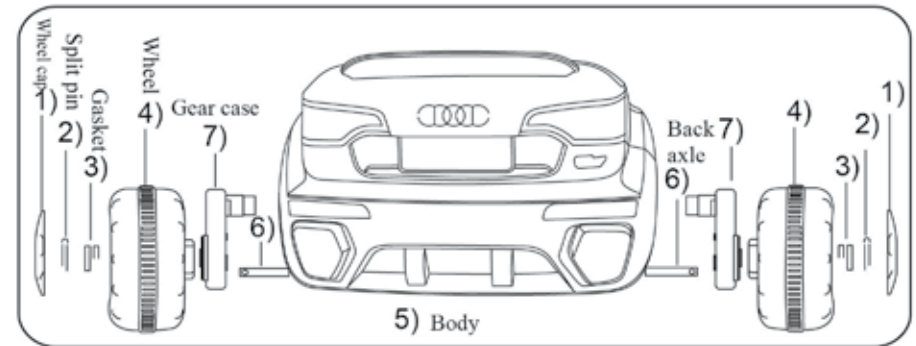
1. Electrical trouble, do not own to remove the expertise of repair.
2. Battery and charging method used to see the specifications.
3. The long-term use of battery. the red line, remove battery terminal ;to prolong battery life.

(c) Appearance maintenance

1. No water washed, scrubbed, with a soft cloth to be done.
2. No rain, which can cause electric vehicle.

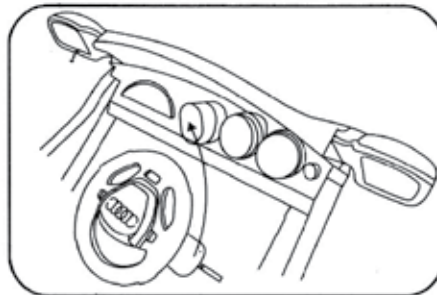
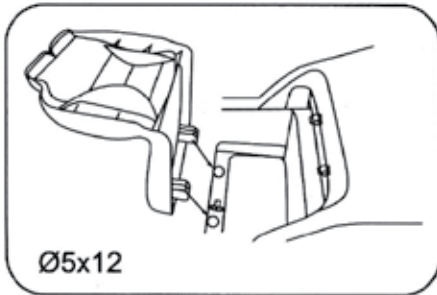
2. Install rear

a. First be put into the rear. in the body on a wheel, on a cushion, put plug in the rear, used tools to bolt. b. Was left in the rear wheel shaft nut into the back and put the gear box in the rear axles, wheels of one and plug in the rear, used tools to bolt. c. Get round to cover the rear. (such as diagrams)



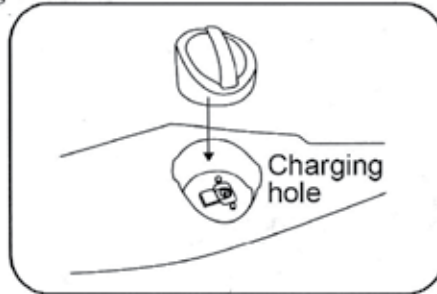
3. Install the plane

Card insert the windscreen below.

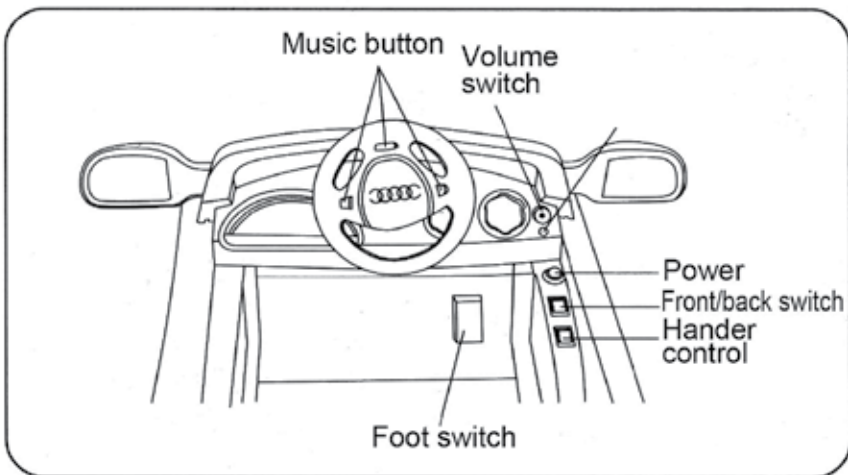


5.Installing seat with the steering wheel

a.The seat in this position.
 b.The steering wheel in the steering, the dashboard square hole in the cord terminals and terminals and the steering wheel, the linked with the punch was aimed at the wheel turns to the hole in the bolts on the locknut should be fixed.
 (as diagrams)



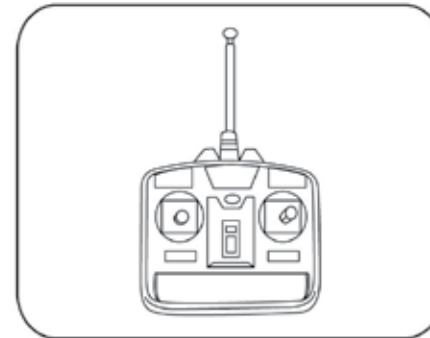
INSTRUCTIONS



1.When the remote operating instructions

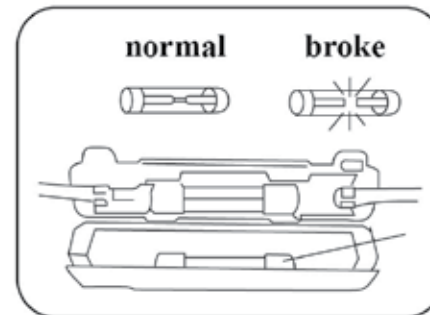
Manual function:Are seated on the switch, a manual reset the manual, will switch to switch back to move forward, if the switch and the car

to move forward, the bright headlights; will advance to switch back to back on foot, and the car backward and forward to bright headlights; back to switch to stop the document, and the car stopped. Audible and visible functions:by the steering wheel, the switch to differ music (between the key in steering).



2.In that remote control

Manual remote control switch to the remote control, press the button on the car to move forward, the first light at the back button; the car backward, and the lamp; to turn left button to turn to left and right button to turn; turned round and turn right.



3.Replace the fuse

If you need to change the fuse blew out and out the fuse (the fuse blew out in the saddle, transparent and open) insurance in the city, the fuse blew out the fuse (for 20a), close the fuse.